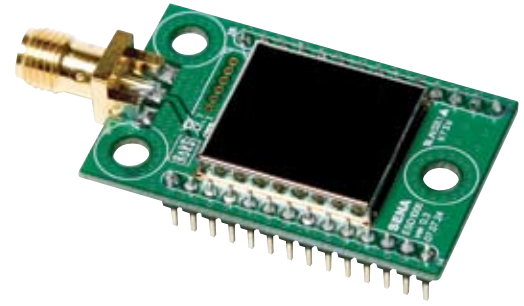


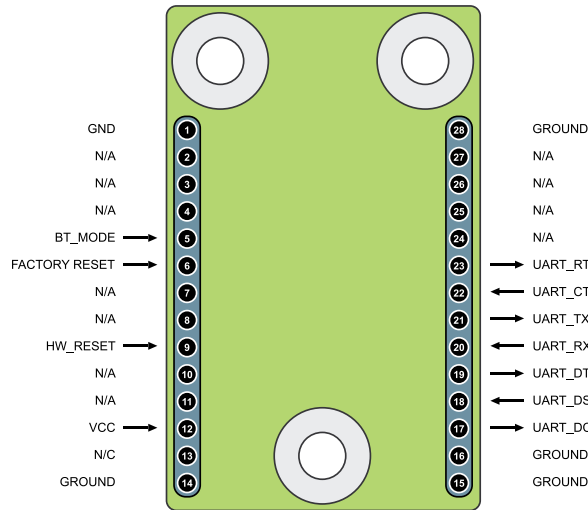
Quick Start Guide

Parani™ ESD1000 OEM Bluetooth-Serial Module



Pinout & Cabling

Pin NO.	Pin Name	Direction	Description	Signal Level
1	GND	-	GROUND	GROUND
2	N/A			
3	N/A			
4	N/A			
5	BT_MODE	IN	Pairing signal	TTL
6	FACTORY RESET	IN	Factory reset signal(Active 'L')	TTL
7	N/A			
8	N/A			
9	HW_RESET	IN	Hardware reset signal(Active 'L')	TTL
10	N/A			
11	N/A			
12	VCC	IN	Power(3.3V)	POWER
13	N/C			
14	GROUND	-	GROUND	GROUND



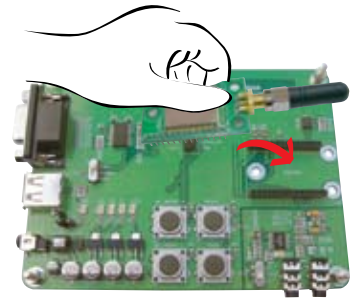
Pin NO.	Pin Name	Direction	Description	Signal Level
15	GROUND	-	GROUND	GROUND
16	GROUND	-	GROUND	GROUND
17	UART_DCD	OUT	UART DCD(data carrier detect)	TTL
18	UART_DSR	IN	UART DSR(data set ready)	TTL
19	UART_DTR	OUT	UART DTR(data terminal ready)	TTL
20	UART_RXD	IN	UART RXD(receive data)	TTL
21	UART_TXD	OUT	UART TXD(transmit data)	TTL
22	UART_CTS	IN	UART CTS(clear to send)	TTL
23	UART_RTS	OUT	UART RTS(ready to send)	TTL
24	N/A			
25	N/A			
26	N/A			
27	N/A			
28	GROUND	-	GROUND	GROUND

Connection

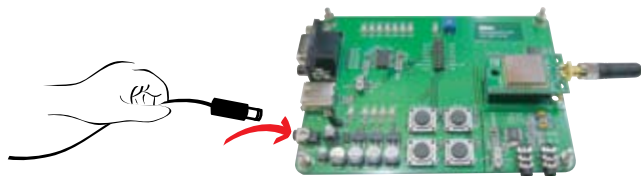
① Connect antenna to ESD1000 module



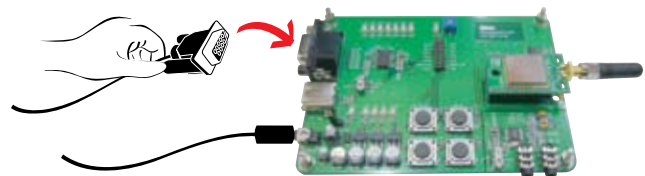
② Connect ESD1000 module to Jig Board



③ Connect Power supply to Jig Board



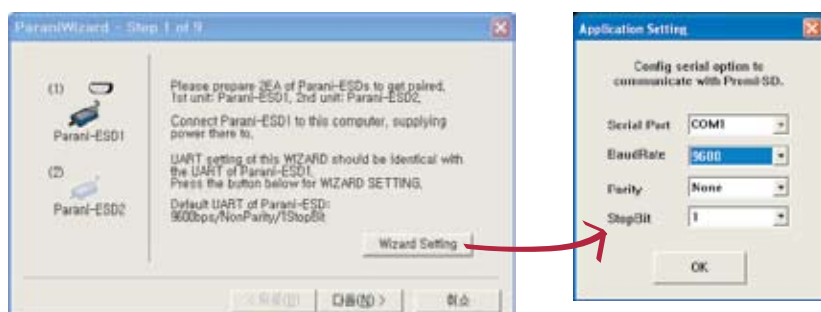
④ Connect serial cable to Jig Board



Configuration

I. Configuration using the ParaniWizard

ParaniWizard is used for simple configuration of point-to-point communications between two Parani-ESD1000 units.



Follow the steps in the ParaniWizard

Parani-ESD1000 default configuration is 9600 bps Baud rate, 8 Data bits, No Parity, 1 Stop bit and H/W flow control

II. Configuration using the ParaniWin or Hyper terminal program

Using ParaniWin or Hyper terminal program, user can make pairing in any of the following situations.

- Between two Parani-ESD1000 units.
- Between a Parani-ESD1000 unit and other Bluetooth device.

For connecting to other Bluetooth device, configuration mode must be set to "Mode 3(Connectable and Discoverable)".

For more information, refer to the User Manual.

You may download the ParaniWin, ParaniWizard and User Manual from Sena website at <http://www.sena.com/support/downloads/>

Visit us at www.sena.com

Copyright 1998-2012, Sena Technologies, Inc. All rights reserved.