

OEM Bluetooth-Serial Module, Parani™ ESD100V2



Features

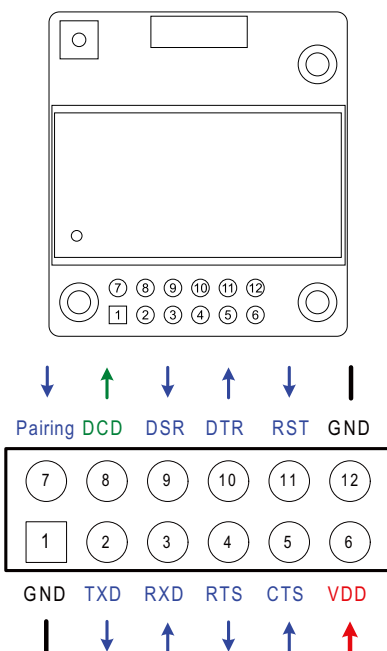
- Output Interface UART, Bluetooth Specification v2.0+EDR
- Transmit Power - Max. 18dBm
- Receiving Sensitivity: -90dBm(0.1%BER)
- Compact size - 27.5 x 30.0 x 14.0 (mm)
1.08 x 1.18 x 0.55 (in)
- Provides transparent RS232 serial cable replacement.
- Supports up to 4 multiple simultaneous connections.
- Profile: Bluetooth Serial Port Profile.
- Interoperability with PDA, laptops etc.
- on-board chip antenna
- Firmware upgrade via windows-based software (ParaniUpdater)
- Working distance (In an open field): Nom. 100 meters
- Easy to use Windows configuration tool available.
- No external drivers required.

The Parani-ESD100V2 is a Bluetooth v2.0+EDR Class1 type Embedded Bluetooth serial module for RS232 cable replacement. The Parani-ESD100V2 is a compact size Bluetooth serial module with built-in chip antenna. It supports 100 meter of wireless transmit distance. The Parani-ESD100V2 also supports up to 4 multiple simultaneous connections.

Typical application areas of the Parani-ESD100V2 include:

- RS232 cable replacement
- Wireless Factory monitoring
- Truck/Bus monitoring system
- PLC programming
- Car Diagnostics
- Wireless Printing
- Wireless POS system
- Wireless logistics
- Wireless machine(healthcare/industrial) monitoring

Pin Assignment



Pin #	Signal	Direction	Description	Signal Level
1	GND	-	Power Ground	Ground
2	TxD	Output	UART Data Output	TTL
3	RxD	Input	UART Data Input	TTL
4	RTS	Output	UART Ready to Send	TTL
5	CTS	Input	UART Clear to Send	TTL
6	VDD	Input	DC Input (3.0~3.3V)	Power
7	Pairing	Input	Pairing Input (Active Low)	TTL
8	DCD	Output	Bluetooth Connect Detect (Active Low)	TTL
9	DSR	Input	Data Set Ready	TTL
10	DTR	Output	Data Terminal Ready	TTL
11	RST	Input	Reset (Active Low)	TTL
12	GND	-	Power Ground	Ground

Specifications

Serial Interface

- UART interface, 2.54mm Pin Header 2X6 (12pin)
- Serial UART speed up to 921.6kbps
- CTS/RTS flow control, DTR/DSR for loop-back & full transfer

Bluetooth

- Bluetooth v2.0 + EDR Class1
- Level - 18 dBm
- Profile: Serial Port Profile
- Working distance: Nominal 100m

Max. Tx power

- 18 dBm

Receive Sensitivity

- -90 dBm

Configuration

- ParaniWIN, ParaniWizard, Modem AT command set

Firmware upgrade

- by ParaniUpdater

Power

- Supply voltage: 3.3V DC
- Supply current: 10mA – 60mA

Environmental

- Operating temperature: -30°C to 80°C
- Storage temperature: -40°C to 85°C
- Humidity: 90% Non-condensing

Physical properties

- Dimension:
 27.5 mm L (1.08 in)
 30.0 mm W (1.18 in)
 14.0 mm H (0.55 in)
- Weight: 6g

Regulatory Approvals

- FCC, CE, TELEC, KCC, SIG

SIG QDID

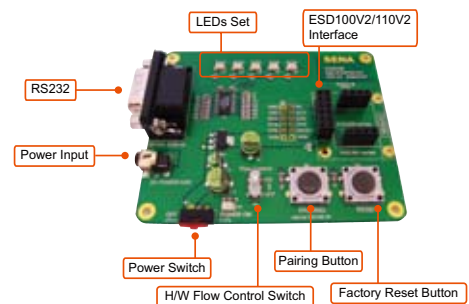
- B015896

Warranty

- 1-year Limited Warranty

Parani-ESD100V2 Starter Kit

Parani-ESD100V2 Starter Kit includes the development board with the sample circuitry for Parani-ESD100V2 interface, power, RS232 Interface, Reset, LEDs, Pairing, H/W flow control for user device development.



Ordering Information

Part number	Description/Package Contents
ESD100V2-01	Parani-ESD100V2 OEM Bluetooth-Serial Module-Class 1 Bluetooth v2.0+EDR with built-in chip antenna Package contents: - Parani-ESD100V2 Module (on-board chip antenna)
ESD100V2SK-01	Starter Kit for Parani-ESD100V2, ESD100V2 included. Package contents: - Parani-ESD100V2 Module (on-board chip antenna) - Development board - Serial data cable - DC Power Adapter - A hardcopy of Quick Start Guide

For more information,
 please visit us at <http://www.sena.com>

U.S. / Canada / South America

Tel: 408-448-1997 Fax: 408-907-3738
 Sales and Support Toll Free (US/Canada): 8669-US-SENA (866-987-7362)
 General Information Toll Free (US/Canada): 8668-US-SENA (866-887-7362)

EU / Africa

Tel: +33 (0)1 53 53 16 29 Fax: +33 (0)1 70 24 70 90

Asia / Pacific

Tel: +82-2-576-7362 Fax: +82-2-573-7710

Contact us via E-mail

General Information: info@sena.com
 Sales & Distribution: sales@sena.com
 Technical Support: support@sena.com